

## Installation of Pepsi High Security Burst Open Latch M039.0

Order: 491,010,49x.x3 Inner Door Burst Open Latch Kit

**Kit Contents:**

1 - 801,501,61x.x1	Burst Open Latch
1 - 901,501,62x.x1	Latch Roller
1 - 801,501,63x.x1	Adjustable Plate
1 - 394,050,11x.x3	Roller Bracket (Must be 0.33 revision or higher)
4 - 900,301,50x.x1	Screw, Phil Pan #8-18 x 1/2
6 - 901,100,54x.x1	1/8" Pop Rivet
1 - 491,012,50x.x3	Mounting Plate Burst Open Latch
2 - 900,800,65x.x1	Kep Nut #10-32

**Important:** If SIID control board is mounted on door stiffener between lamps, burst open latch will not work. Installation of an inner door lock is recommended.

**To install:**

1. Open inner door from main door. (See figure 1.)
2. Locate the mounting plate for the burst open latch. (See item C, figure 2.)
3. Place mounting bracket on inner door according to the measurements in figures 1 and 2. Ensure the measurements are taken from the outside edge of the inner door gasket.
4. Mark the six (6) securing holes in the mounting bracket on the inner door.
5. Center punch the marks made in step 4.
6. Drill six (6) 1/8" holes where the center punches were made. Be careful not to drill through both sides of inner door.
7. Place mounting bracket on inner door and secure with six (6) 1/8" pop rivets.
8. Place burst open latch on mounting bracket as shown in figures 1 and 2.
9. Secure latch to bracket with two (2) #10-32 keps nuts. Do not tighten the nuts at this time.
10. Locate the roller bracket for the latch roller. (See figure 1.)
11. Place roller bracket on main door according to the measurements shown in figures 1 and 3.
12. Mark the two (2) securing holes on the door.
13. Center punch the marks made in step 12.

14. Drill two (2) 1/8" holes where the center punches were made.
15. Place roller bracket in position and secure it with two (2) #8-18 x 1/2" phil pan screws. (See figure 3.)
16. Place the adjustable plate in position on the roller bracket as shown in figure 1.
17. Place the latch roller in position on the adjustable plate and secure with two (2) #8-18 x 1/2" phil pan screws. Do not tighten screws at this time.
18. Once screws are started, pull latch roller towards the inner door and tighten the two (2) phil pan screws.
19. Close the inner door to the main door, leaving a small gap to visually align the burst open latch to the latch roller. **Important:** The burst open latch is shown in the closed position, it needs to be in the open position before closing the inner door to the main door.
20. If the burst open latch looks to be aligned, tighten the two (2) #10-32 keps nuts. If the burst open latch is not aligned, align the burst open latch and tighten the #10-32 keps nuts to secure.
21. Close and open the inner door to the main door several times to ensure the burst open latch works properly.

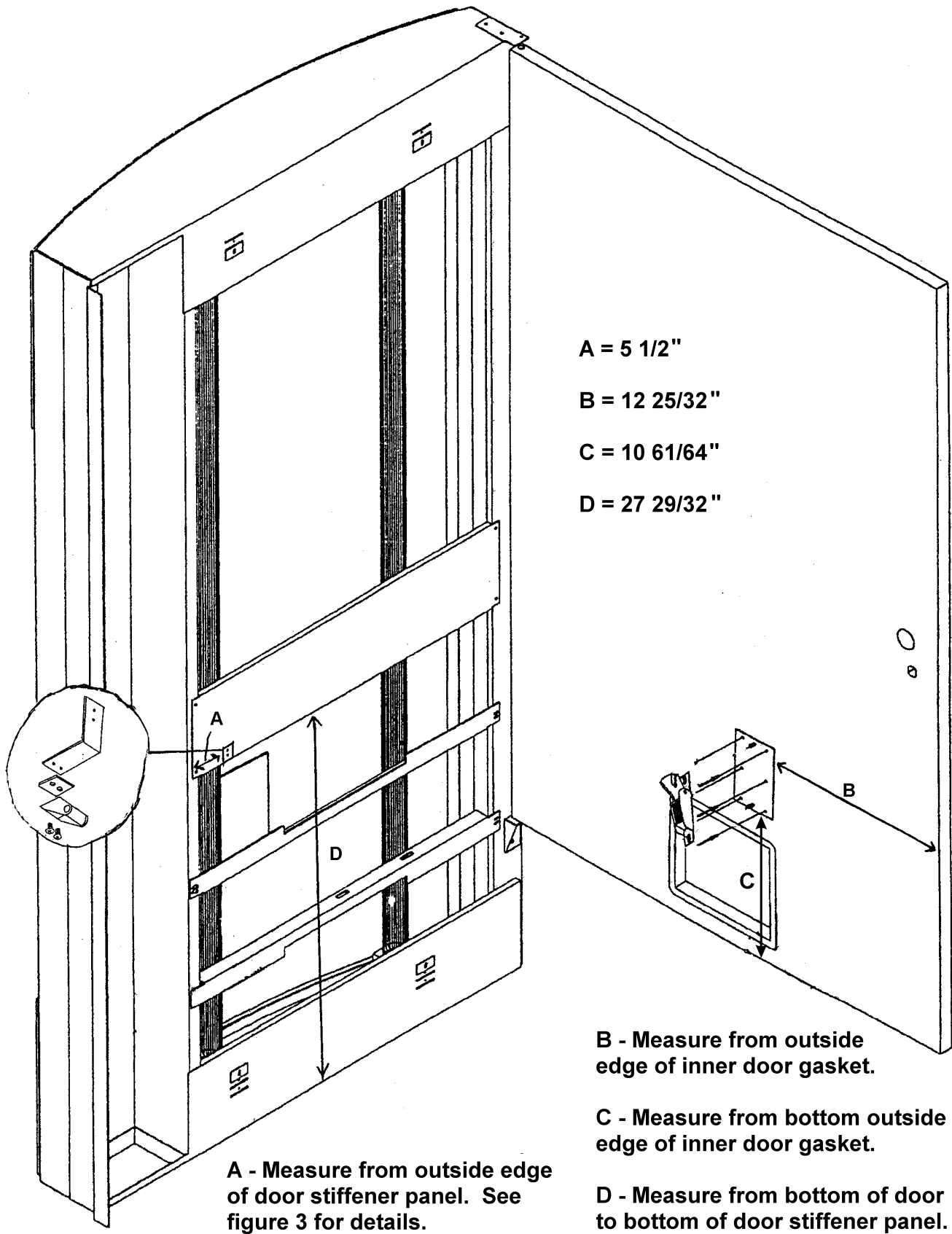
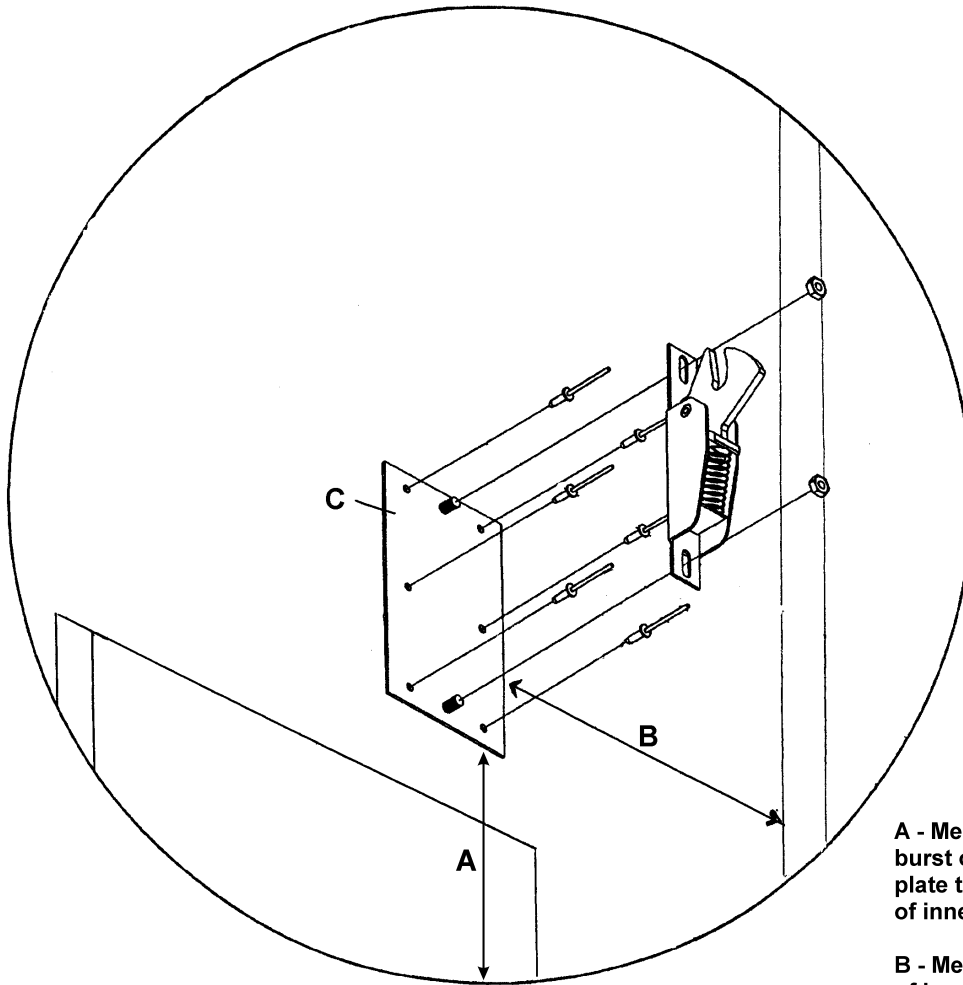


Figure 1



A - Measure from bottom of burst open latch mounting plate to bottom outside edge of inner door gasket.

B - Measure from outside edge of inner door gasket.

Figure 2

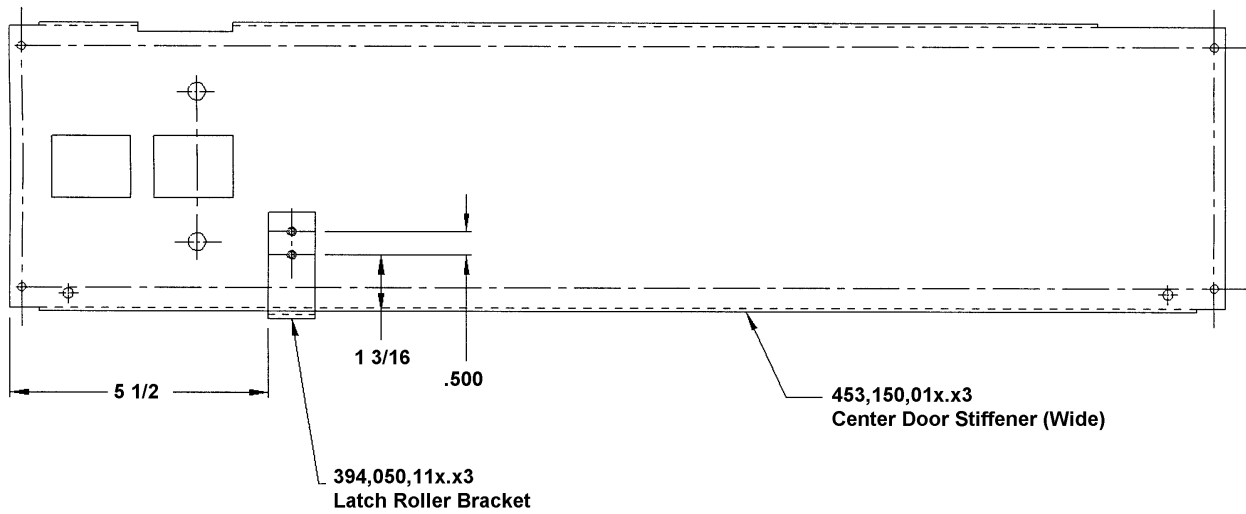


Figure 3